

KEY FEATURES

- PCIe form factor
- Dual video inputs
- Dual video outputs capable of driving up to 110 feet over coax
- Max display resolution 1600x1200 @ 60Hz
- RoHS compliant

The PCI900 is a PCIe form factor module that has dual RGB analog video receiver inputs. It outputs two analog RGBs that provide the capability to drive UXGA video up to 110 feet over coaxial cable.

The input impedance is 75 ohms with a signal level of 1 VPP per RS-343A with sync on green. The output characteristic being 1 VPP into 75 ohms per RS-343A which can drive a minimum of 110 feet of cable.

The PCI900 receives only power from the PCIe bus and has no other connection to the PCIe bus.

VadaTech can modify this product to meet special customer requirements without NRE (minimum order placement is required).

RGB Video Driver

SPECIFICATIONS

Architecture		
Physical	Dimensions	Width: 4.2 in. (107 mm)
		Depth: 6.6 in. (156 mm)
Product	Video Driver	Dual RGB to dual RGB
Standards		
PCIe	Lanes	None (no connection to the PCIe bus)
Configuration		
Power	PCI900	<1W
Environmental	Temperature	Operating Temperature: 0° to 65° C
		Storage Temperature: -40° to +90° C
	Vibration	1G, 5-500Hz each axis
	Shock	30Gs each axis
	Relative Humidity	5 to 95 percent, non-condensing
Interface Connectors	Rear	Dual DB-15
Conformal Coating		Humiseal 1A33 Polyurethane Conformal Coating
		Humiseal 1B31 Acrylic Conformal Coating
Other		
MTBF	MIL Spec 217-F > 392,000 Hrs.	
Certifications	Designed to meet FCC, CE and UL certifications where applicable	
Standards	VadaTech is certified to both the ISO9001:2000 and AS9100B:2004 standards	
Compliance	RoHS	
Warranty	Two (2) years	
Trademarks and Logos	The VadaTech logo is a registered trademark of VadaTech, Inc. Other registered trademarks are the property of their respective owners.	

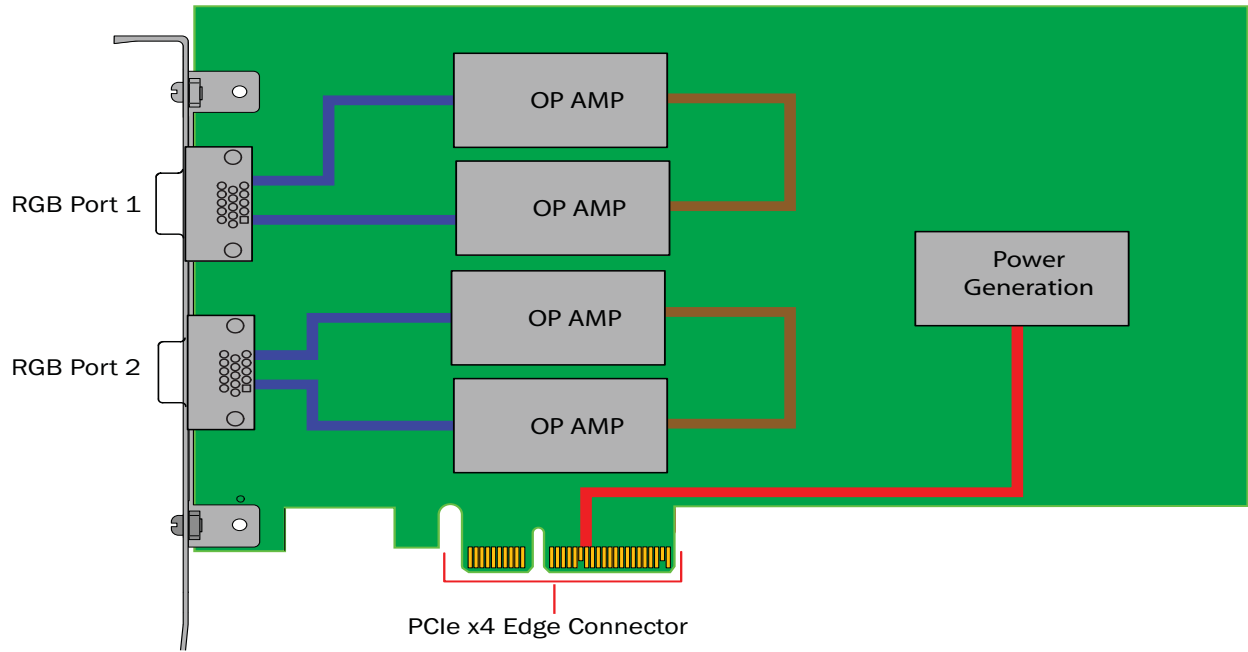


FIGURE 1. PCI900 Functional Block Diagram

ORDERING OPTIONS

PCI900 - 000 - 000 - 00J

J = Conformal Coating

- 0 = None
- 1 = Humiseal 1A33 Polyurethane
- 2 = Humiseal 1B31 Acrylic

Document No. _____ Date: July 20 2007

